

Engine	Cummins QSL9.3
Gross Power	180 kW (245 hp) @ 2,200 rpm
Net Power	162 kW (220 hp) @ 2,200 rpm
Operating Weight	21,500 kg
Standard Bucket Size	4.2 m ³
Standard Breakout Force	200 kN
Standard Dump Clearance	3,000 mm

870H

WHEEL LOADER



TOUGH WORLD. TOUGH EQUIPMENT.

870H SPECIFICATIONS >>>

ENGINE

Emission Regulation	Tier 3 / Stage IIIA
Make	Cummins
Model	QSL9.3
Gross Power	180 kW (245 hp) @ 2,200 rpm
Net Power	162 kW (220 hp) @ 2,200 rpm
Peak Torque	1187 N · m @ 1,300 rpm
Displacement	9.3 L
Number of Cylinder	6
Aspiration	Turbocharged & Air-to-air intercooled

TRANSMISSION

Transmission Type	Countershaft, power shift
Torque Converter	Single stage, three elements
Maximum Travel Speed, fwd	37 km/h
Maximum Travel Speed, rev	26 km/h
Number of Speed, fwd	4
Number of Speed, Rev	3

AXLES

Differential Front Type	Conventional
Differential Rear Type	Conventional
Axle Oscillation	±12°

STEERING

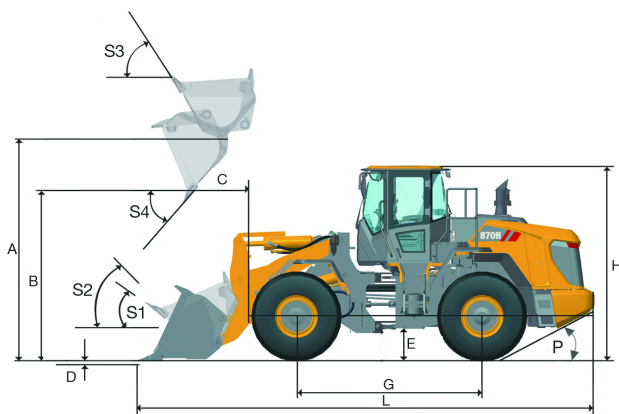
Steering Configuration	Articulated
Steering Relief Pressure	20 MPa

BRAKES

Service Brake Type	Caliper discs brake
Service Brake Actuation	Air over hydraulic
Parking Brake Type	Manual pneumatic control
Parking Brake Actuation	Air

HYDRAULIC SYSTEM

Main Pump Type	Gear+Piston
Main Relief Pressure	24 MPa
Raise	5.7 s
Dump Time	1.3 s
Float Down Time	3 s
Fastest Total Cycle Time	10 s



LOADER ARM PERFORMANCE

Tipping Load - Straight	19,300 kg
Tipping Load - Full Turn	16,600 kg
Bucket Breakout Force	200 kN
A Maximum Hinge Pin Height	4,212 mm
B Dump Clearance at Full Height Discharge	3,000 mm
C Dump Reach at Full Height Discharge	1,346 mm
D Maximum Digging Depth, Bucket Level	80 mm
S ₁ Bucket Rollback at Ground Level	43°
S ₂ Bucket Rollback at Carry	48°
S ₃ Bucket Rollback at Maximum Height	62.5°
S ₄ Maximum Dump Angle at Full Height	45°

BUCKET PERFORMANCE

Reference Bucket	3.0 - 7.0 m ³
------------------	--------------------------

DIMENSIONS

E Ground Clearance	431 mm
G Wheelbase	3,450 mm
H Cab Height	3,467 mm
J Wheel Tread	2,280 mm
K Width Over Tires	3,030 mm
L Length with Bucket Down	8,773 mm
M Turn Angle, Either Side	38°
P Rear Angle of Departure	27°
R ₁ Turning Radius, Bucket Carry	7,114 mm
R ₂ Turning Radius, Outside of Tire	6,525 mm

TIRES

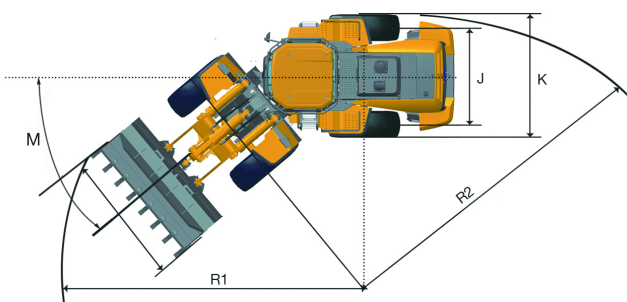
Tire Size	750/65 R 25
-----------	-------------

OPERATING WEIGHTS

Operating Weight	21,500 kg
------------------	-----------

SERVICE CAPACITY

Fuel Tank	330 L
Engine Oil	22 L
Cooling System	52 L
Hydraulic System	280 L
Transmission and Torque Converter	30 L
Axles, Each	41 L



Guangxi Liugong Machinery Co., Ltd.

No. 1 Liutai Road, Liuzhou, Guangxi 545007, PR China
T: +86 772 3886124 E: overseas@liugong.com

www.liugong.com

Specifications and designs are subject to change without notice. Machines shown may include optional equipment.

07/2017 Designed by LiuGong